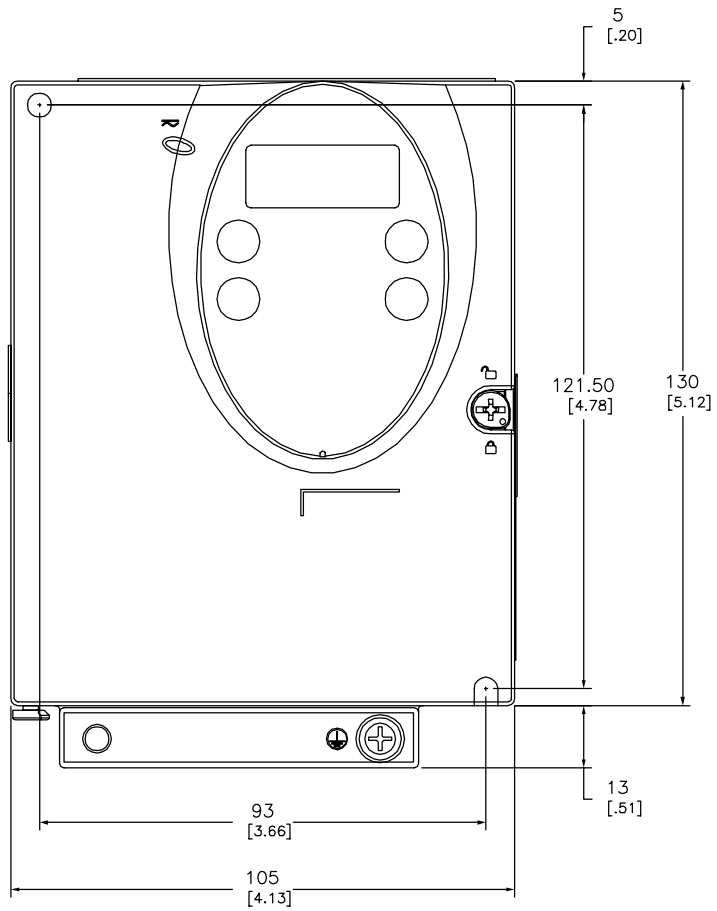


Technical Characteristics

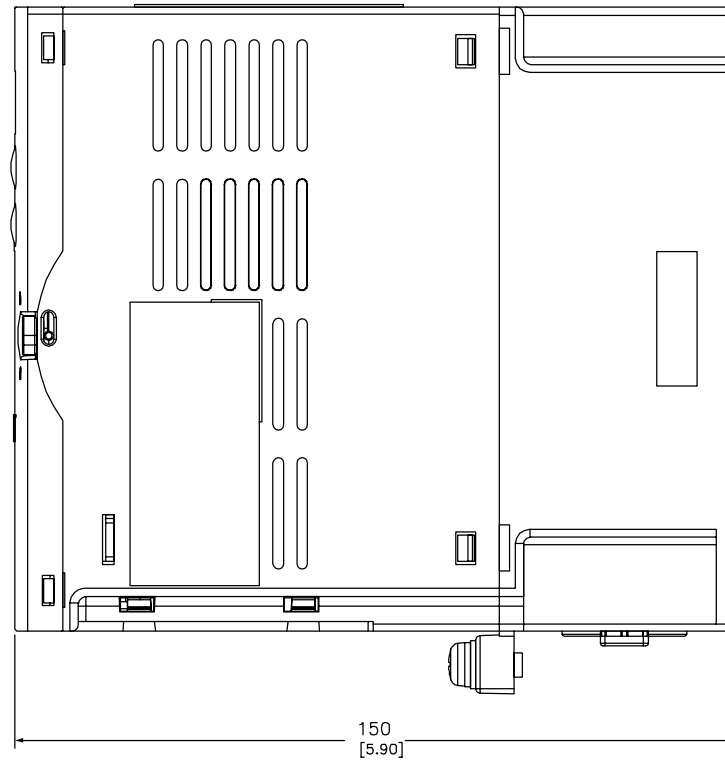
Output Current - Nominal	4.1A
Number of Functions	50
Operating Temperature Range	14 to 122 Degrees F (14 to 140 Degrees F without vent cover)
Horsepower Rating	2.0HP
Input Current	6.4A@400VAC - 4.8A@460VAC
Marketing Trade Name	Altivar 31
Supply Voltage	400-460VAC
Application	Industrial users and OEMs who specialize in material handling, pump, fan, packing, packaging and general purpose motor control
Approvals	UL Listed File: E164874 CNN NMMS - CSA Certified File: LR96921 Class 3211 06 - CE Marked
Catalog Reference Number	8800CT0401
Control Type	Sensorless Flux Vector
Enclosure Rating	IP20
For Use With	3-Phase asynchronous motors
Output Current - Transient	6.2A
Output Frequency Range	0 to 500Hz
Output Voltage	Maximum output voltage equal to input voltage
Type	ATV31
Depth	5.91 Inches
Height	5.63 Inches
Width	4.13 Inches
Weight	2.92 Pounds
Input Phase	3-Phase
Output Phase	3-Phase
Short Circuit Current Rating	5kA

Shipping and Ordering

Category	22152 -
Discount Schedule	CP4B
Article Number	785901662983
Package Quantity	1
Weight	4.52 lbs.
Availability Code	N
Returnability	Y



FRONT VIEW



RIGHT VIEW

CATALOG NUMBERS
ATV31HU11M2
ATV31HU15M2
ATV31HU22M3X
ATV31H037N4
ATV31H055N4
ATV31H075N4
ATV31HU11N4
ATV31HU15N4
ATV31H075S6X
ATV31HU15S6X

DUAL DIMENSIONS: MILLIMETERS
INCHES

NOTES:
INCHES CALCULATED FROM THE METRIC DIMENSIONS BY: 1 INCH = 25.4 MM

ATV31H VFD
FRAME SIZE 6
FRONT AND RIGHT VIEW



DWG#
NO. ATV3106